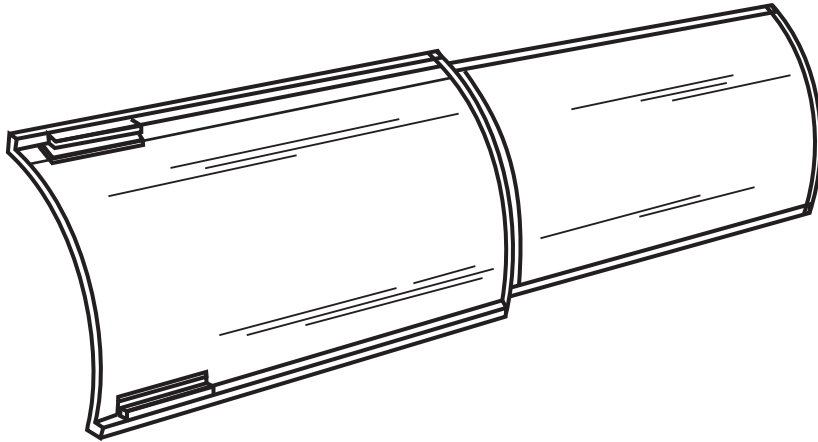


Extension Sleeve For Air Deflectors for Models 52 & 53

Model No.	Description
67	extension sleeve/adds 12"(30cm)



Extension Sleeve for Air Deflectors Model 67

Performance Data

for extension sleeve for air deflectors

Material

- clear polycarbonate

Melting Temperature

- 325F/163C approx.

General Information

- extension sleeve for air deflectors
- adds 12"(30cm) of width to models 52,53
- for heating and cooling applications
- redirects air for added comfort
- saves energy

Note: For central forced air heating and air conditioning only

