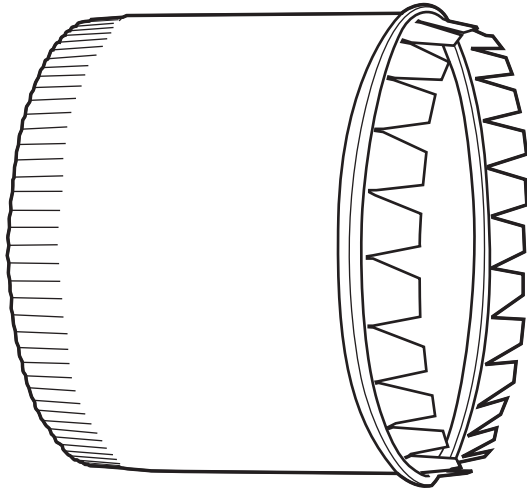


ACLL Starter Collar Connector - Galvanized



ACLL

Size	Code	Description
4" dia	ACLL04532B	4" Galvanized Starter Collar
5" dia	ACLL05532B	5" Galvanized Starter Collar
6" dia	ACLL06532B	6" Galvanized Starter Collar
7" dia	ACLL07532B	7" Galvanized Starter Collar
8" dia	ACLL08532B	8" Galvanized Starter Collar
10" dia	ACLL10528	10" Galvanized Starter Collar
12" dia	ACLL12528	12" Galvanized Starter Collar

Performance Data

for galvanized starter connector collars

Material

- all galvanized

General Information

- used to connect main HVAC duct line
- collar allows flex duct connection to starter collar

Size	Code	Description
4" dia	ACLL04532B	4" dia x 5" long x 32ga.(10.1 x 12.7 x .025 cm) Galvanized Starter Collar
5" dia	ACLL05532B	5" dia x 5" long x 32ga.(12.7 x 12.7 x .025 cm) Galvanized Starter Collar
6" dia	ACLL06532B	6" dia x 5" long x 32ga.(15.2 x 12.7 x .025 cm) Galvanized Starter Collar
7" dia	ACLL07532B	7" dia x 5" long x 32ga.(17.7 x 12.7 x .025 cm) Galvanized Starter Collar
8" dia	ACLL08532B	8" dia x 5" long x 32ga.(20.3 x 12.7 x .025 cm) Galvanized Starter Collar
10" dia	ACLL10528	10" dia x 5" long x 28ga.(25.4 x 12.7 x .040 cm) Galvanized Starter Collar
12" dia	ACLL12528	12" dia x 5" long x 28ga.(30.4 x 12.7 x .040 cm) Galvanized Starter Collar

