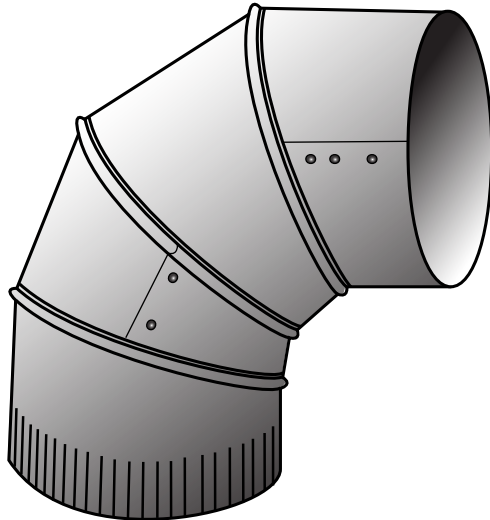


AELB Aluminum Elbows - Fully adjustable to 90°



AELB

Size	Code	Description
3" dia	AELB039022	3" x 90° x .022" aluminum elbow
3" dia	AELB039025	3" x 90° x .025" aluminum elbow
4" dia	AELB049022	4" x 90° x .022" aluminum elbow
4" dia	AELB049025	4" x 90° x .025" aluminum elbow
5" dia	AELB059022	5" x 90° x .022" aluminum elbow
5" dia	AELB059025	5" x 90° x .025" aluminum elbow
6" dia	AELB069022	6" x 90° x .022" aluminum elbow
6" dia	AELB069025	6" x 90° x .025" aluminum elbow

Performance Data

for aluminum, adjustable elbows

Material

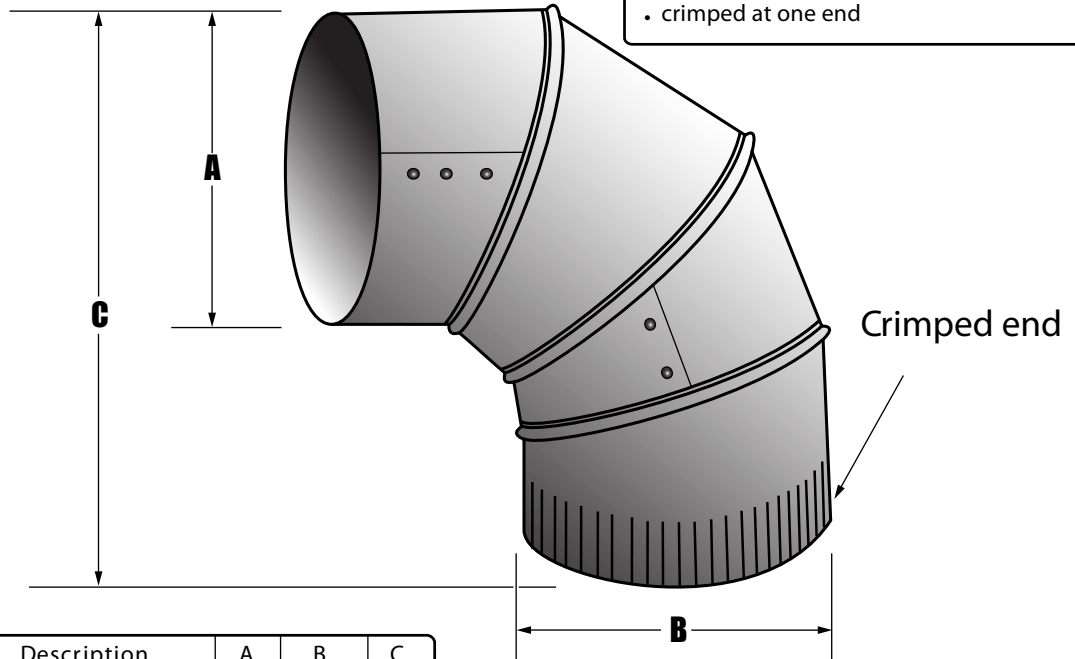
- aluminum, 3000 series
- thickness - 0.022", 0.025"

Manufactured

- 4 sections, each section machined together for full range adjustability, crimped at one end

General Information

- fully adjustable aluminum elbow from 0° to 90°
- crimped at one end



Model N o.	Description	A	B	C
AELB3	3" (7.5cm) opening	3"	2 ⁷ / ₈ "	6"
AELB4	4" (10.1cm) opening	4"	3 ⁷ / ₈ "	6 ¹ / ₂ "
AELB5	5" (12.7cm) opening	5"	4 ⁷ / ₈ "	7"
AELB6	6" (15.2cm) opening	6"	5 ⁷ / ₈ "	7 ¹ / ₂ "