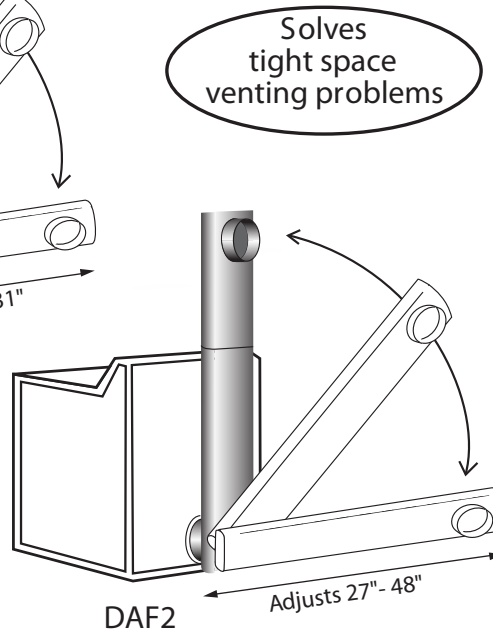
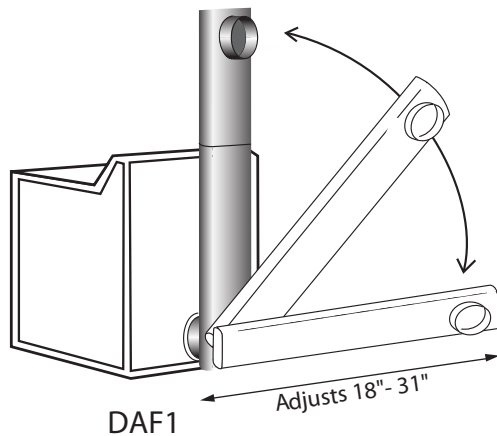
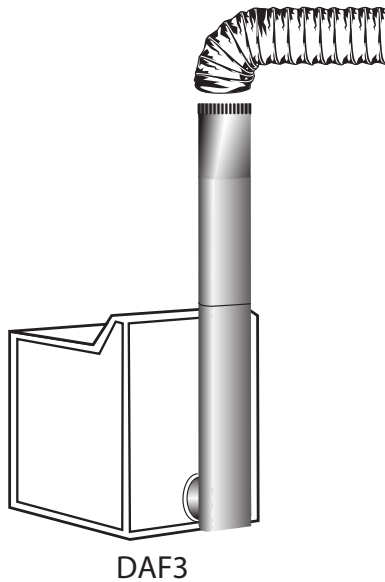
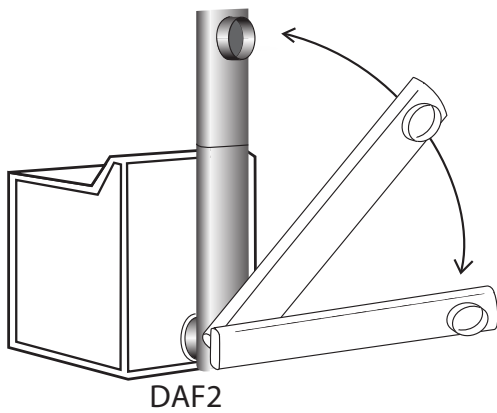
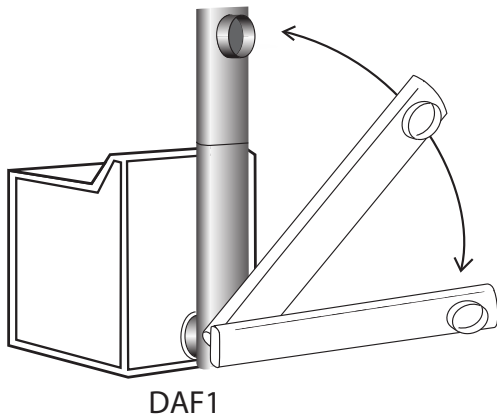


### Skinny Duct™ Dryer Vent Duct - Aluminum smooth dryer metal dryer duct pipe



Model No.	Description
DAF1	4" oval duct/ adjustable 18"- 31"
DAF2	4" oval duct/ adjustable 27"- 48"
DAF3	4" oval duct/ adjustable 27"- 48"

#### Performance Data

for uninsulated aluminum smooth, metal dryer duct pipe

#### Duct Diameter

- 4" (10.1cm) oval

#### Materials

- aluminum, smooth metal pipe
- thickness - .014"(.35mm )

#### Notes

- all "metal" hard pipe Skinny Ducts are a preferred method for venting your clothes dryer. And because we've designed this series of dryer vent ducts using only sturdy, metal pipe, these dryer ducts should help prevent "crushing" of dryer duct behind the dryer

#### General Information

- allows dryer installation 3" from the wall
- 4" oval aluminum duct, adjustable sizes
- DAF1, DAF2 are ideal for installation on dryers located in closets - vertical, horizontal, or diagonal installation
- DAF3 allows for longer exhaust using Supurr-Flex® duct (not included). Excellent for basement installations
- can be cut to shorter lengths

#### Application View

