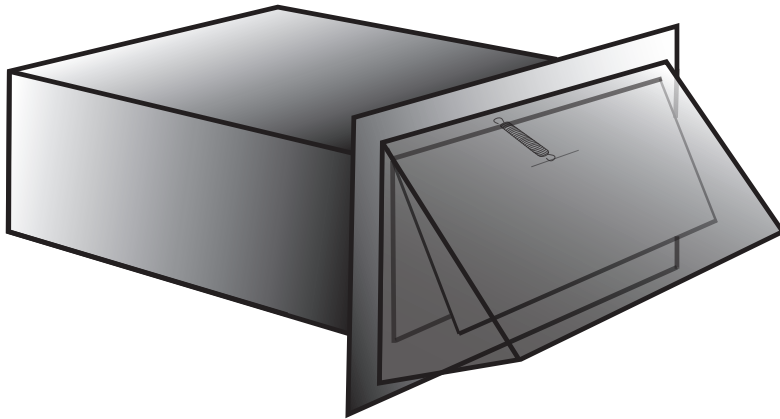


### Metal Wall Caps - Rectangular Galvanized and Aluminum Models with Spring Damper

| Model No. | Description                  | Color  |
|-----------|------------------------------|--------|
| DAWC      | aluminum wallcap w/ damper   | Silver |
| DGWC      | galvanized wallcap w/ damper | Silver |



DAWC, DGWC

#### Performance Data

for aluminum and galvanized wallcap

#### Material

- aluminum (DAWC)
- galvanized (DGWC)

#### General Information

- Designed for use with rectangular duct
- Both models have 3 1/4" x 10" rectangular openings (8.2 x 25.4cm)
- Includes a damper and spring
- Includes a sound dampening foam seal for quiet operation

