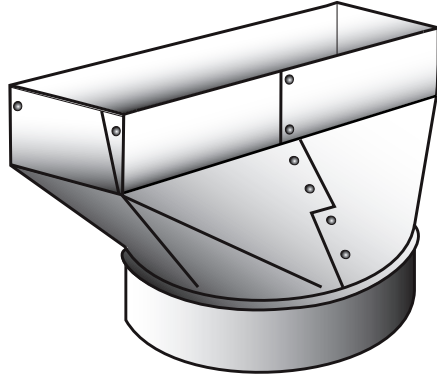


### Kitchen Range Hood Venting Accessories - Transition



DGT

Model No.	Description	Color
DGT34	4" round transition	Silver
DGT35	5" round transition	Silver
DGT36	6" round transition	Silver
DGT37	7" round transition	Silver

#### Performance Data

for transitions from rectangular to round

#### Material

- transitions all galvanized steel

#### Construction

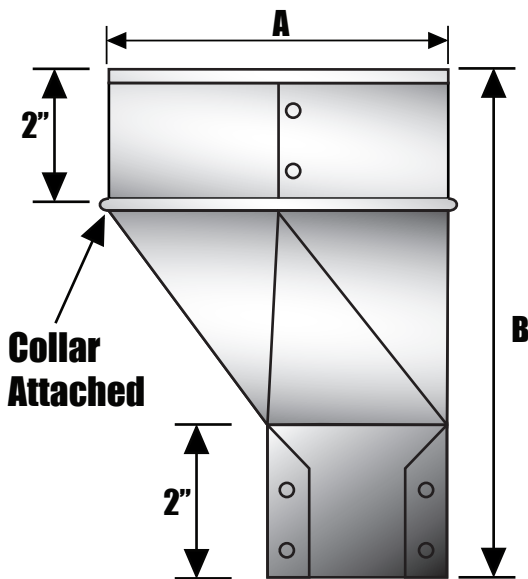
- dimple lock

#### Operating Temperature Range

- -100 F to 430 f / -73 C to 221 C

#### General Information

- Offset models allow for close connection to walls (i.e. Range Hoods)



Model No.	A	B
DGT34	4"	6"
DGT35	5"	6 1/2"
DGT36	6"	7"
DGT37	7"	8"

