

EB-End Boot Galvanized

Performance Data

- for galvanized transitions

Material

- galvanized sheet metal (standard)

Construction

- dimple lock

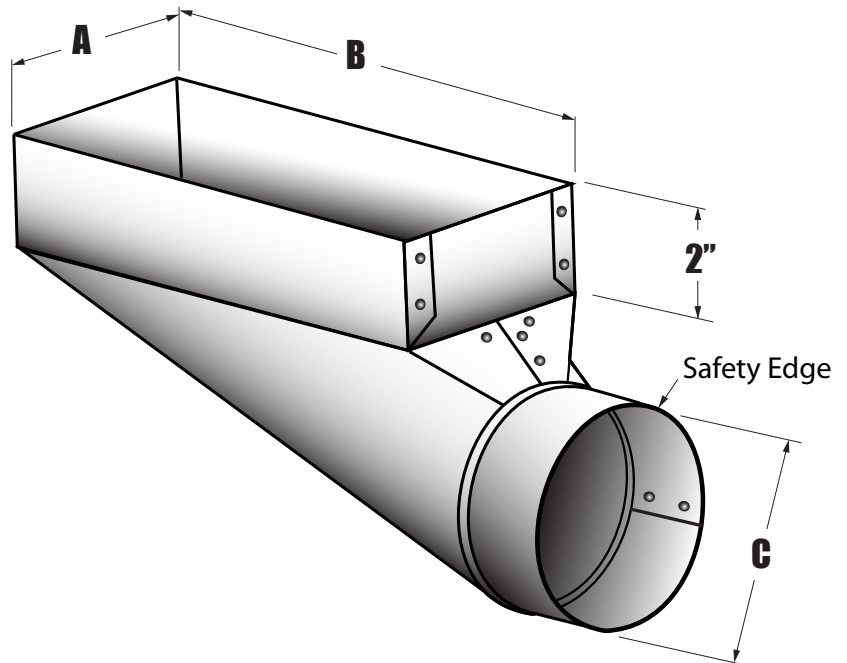
Operating Temperature Range

- -100°F to 430°F / -73°C to 221°C

General Information

- connecting collars with smooth edge for safety
- transition from Round to Rectangular duct

End Boot	
Model No.	Description A X B X C
EB24106	2 1/4" x 10" x 6"
EB24125	2 1/4" x 12" x 5"
EB24126	2 1/4" x 12" x 6"
EB24145	2 1/4" x 14" x 5"
EB24146	2 1/4" x 14" x 6"
EB3104	3" x 10" x 4"
EB3105	3" x 10" x 5"
EB3106	3" x 10" x 6"
EB34104	3 1/4" x 10" x 4"
EB34105	3 1/4" x 10" x 5"
EB34106	3 1/4" x 10" x 6"
EB34107	3 1/4" x 10" x 7"
EB34108	3 1/4" x 10" x 8"
EB34126	3 1/4" x 12" x 6"
EB34127	3 1/4" x 12" x 7"
EB4104	4" x 10" x 4"
EB4105	4" x 10" x 5"
EB4106	4" x 10" x 6"
EB4107	4" x 10" x 7"
EB4108	4" x 10" x 8"
EB4125	4" x 12" x 5"
EB4126	4" x 12" x 6"
EB4127	4" x 12" x 7"
EB4128	4" x 12" x 8"
EB4146	4" x 14" x 6"
EB4147	4" x 14" x 7"
EB4148	4" x 14" x 8"
EB6105	6" x 10" x 5"
EB6106	6" x 10" x 6"
EB6107	6" x 10" x 7"
EB6108	6" x 10" x 8"
EB6126	6" x 12" x 6"
EB6127	6" x 12" x 7"
EB6128	6" x 12" x 8"
EB6147	6" x 14" x 7"
EB6148	6" x 14" x 8"



Other sizes available upon request.