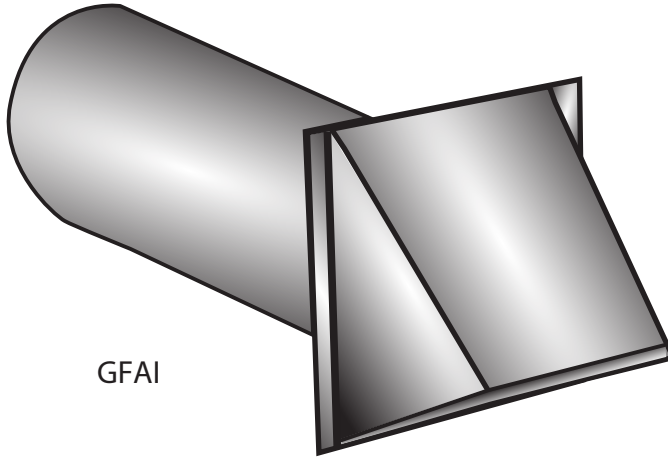


Fresh Air Intake Technical Product Specification

Fresh Air Intake – Galvanized Hood and Pipe with Screen



Model	Description	Screen Size
GFAI4	4" hood, pipe & screen	1/4"x1/4" mesh
GFAI5	5" hood, pipe & screen	1/4"x1/4" mesh
GFAI6	6" hood, pipe & screen	1/4"x1/4" mesh
GFAI7	7" hood, pipe & screen	1/4"x1/4" mesh
GFAI8	8" hood, pipe & screen	1/4"x1/4" mesh

Performance Data

For Fresh Air Intake Hoods

HOOD

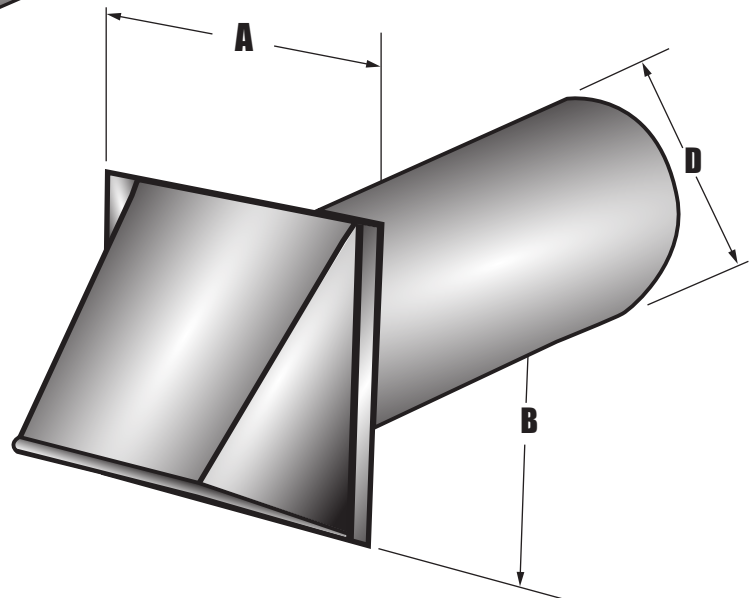
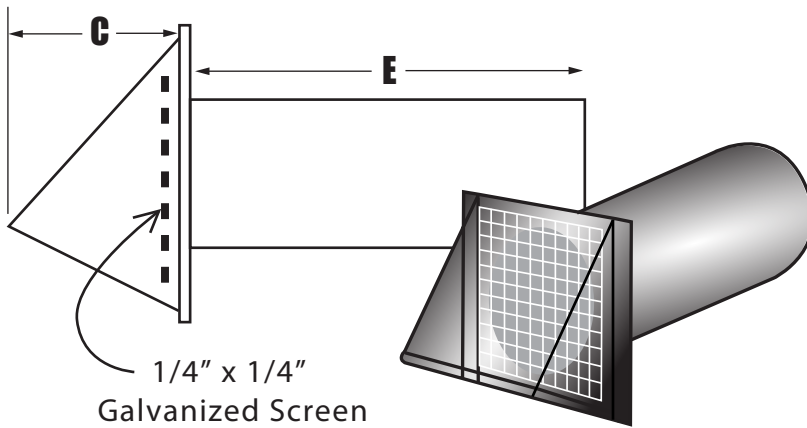
- Galvanized metal
- Galvanized metal 1/4"x1/4" screen

PIPE

- Galvanized

General Information

- 4" - 8" (10-20 cm) wide mouth vent design
- Screen keeps out unwanted animals
- Galvanized metal screen protects against rust



Model	A	B	C	D	E
GFAI4	6"	6"	3 1/2"	4" dia.	12"
GFAI5	8"	9 3/8"	4 1/2"	5" dia.	12"
GFAI6	8"	9 3/8"	4 1/2"	6" dia.	12"
GFAI7	10"	11 7/8"	5 3/4"	7" dia.	12"
GFAI8	10"	11 7/8"	5 3/4"	8" dia.	12"