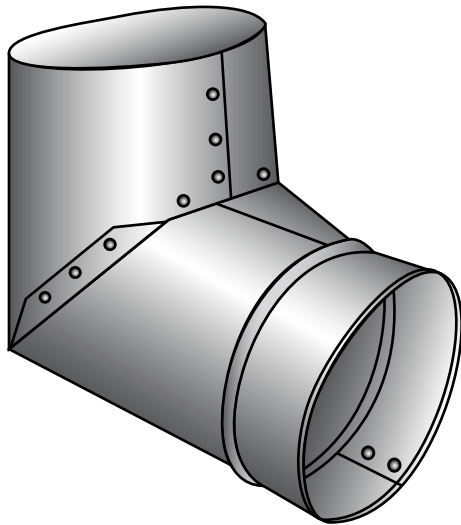


### OAB- Oval to Round 90 deg. Transition Boot



OAB

Model	Description, A to B
OAB44	Galvanized oval angle boot, 4" to 4"
OAB55	Galvanized oval angle boot, 5" to 5"
OAB65	Galvanized oval angle boot, 5" to 6"
OAB66	Galvanized oval angle boot, 6" to 6"
OAB77	Galvanized oval angle boot, 7" to 7"

#### General Information

- Connecting collars with smooth edge for safety
- Allows for connection to oval pipe
- Transition from round to oval pipe

#### Performance Data

##### Material:

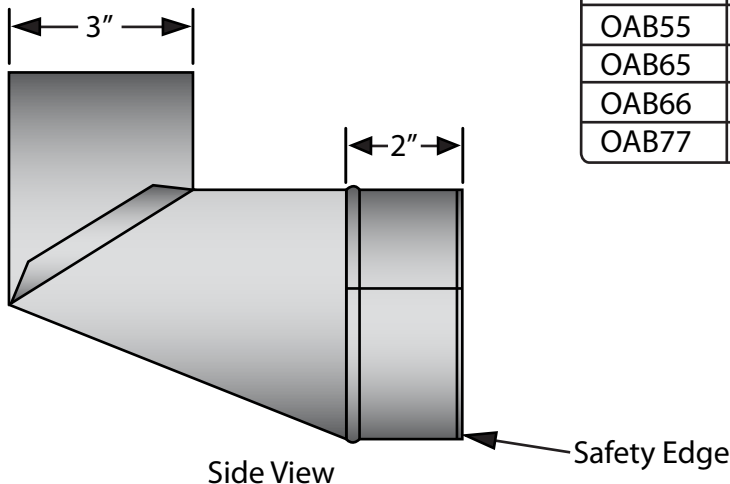
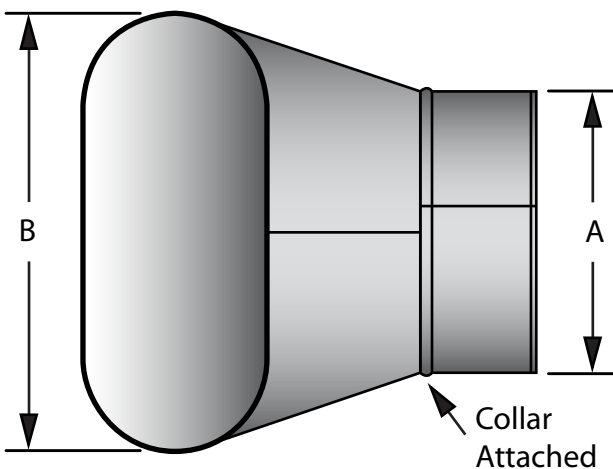
- Galvanized sheet metal (Standard)

##### Construction:

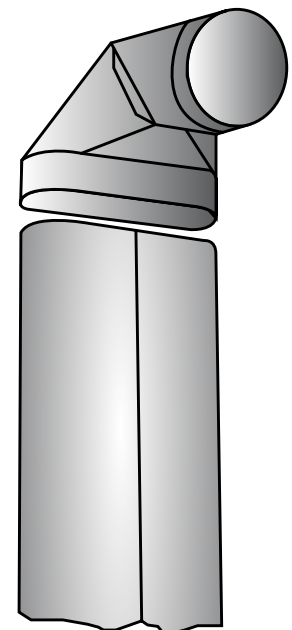
- Dimple lock

##### Operating Temperature:

- -100°F to 430°F / -73°C to 221°C



Model	'A' Dia.	B
OAB44	4"	5"
OAB55	5"	6"
OAB65	6"	7 <sup>9/16</sup> "
OAB66	6"	7 <sup>9/16</sup> "
OAB77	6"	9 <sup>1/8</sup> "



Application