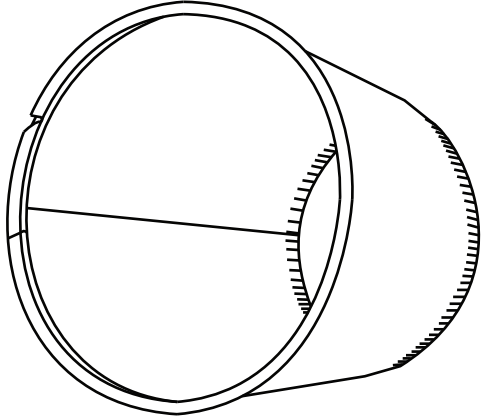


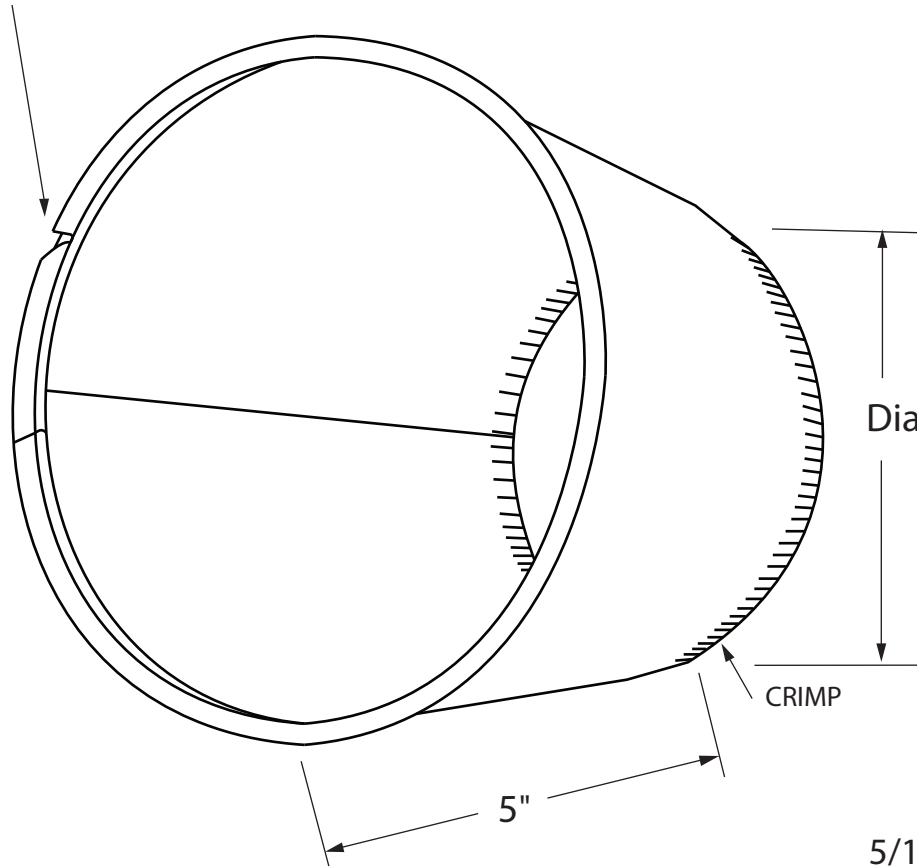
### SPON- Spin On Collar without Damper - Galvanized

used to connect main HVAC duct line



Code	Description
SPON04	Galv.Spin On Collar ,4"dia x 5" long x 28ga
SPON05	Galv.Spin On Collar ,5"dia x 5" long x 28ga
SPON06	Galv.Spin On Collar ,6"dia x 5" long x 28ga
SPON07	Galv.Spin On Collar ,7"dia x 5" long x 28ga
SPON08	Galv.Spin On Collar ,8"dia x 5" long x 28ga
SPON10	Galv.Spin On Collar ,10"dia x 5" long x 26ga
SPON12	Galv.Spin On Collar ,12"dia x 5" long x 26ga
SPON14	Galv.Spin On Collar ,14"dia x 5" long x 26ga
SPON16	Galv.Spin On Collar ,16"dia x 5" long x 26ga

Spin on starting notch



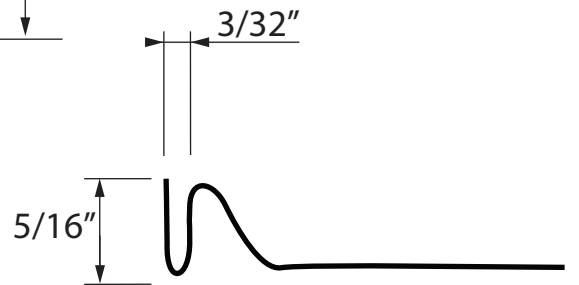
**Performance Data**  
for galvanized HVAC collar

**Material**

- all galvanized 28 & 26ga

**General Information**

- allows flex duct connection to spin on collar
- crimp allows for easy joint connection
- high profile spin on flange assures for a secure connection to duct work



Section View of spin on flange