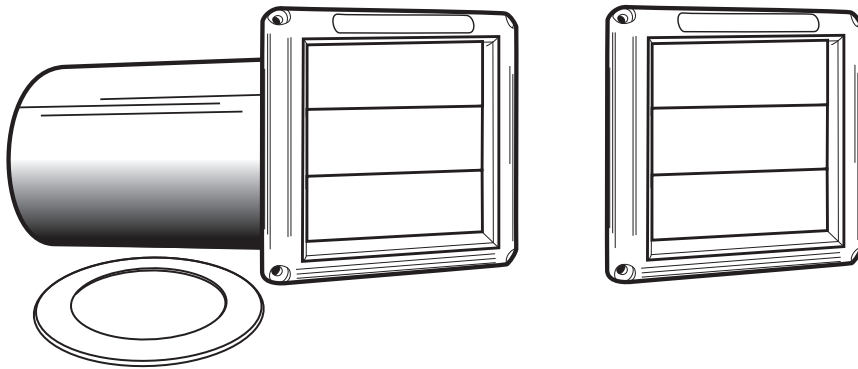


## Technical Product Specifications

Bathroom Vent - 3" (7.6 cm) Supurr-Vent® Louvered Vent Hood, pipe & collar



SVHAW3, SVHAB3, SVHUW3, SVHUB3

HS3W/48, HS3B/48

Model No.	Description	Color
HS3W/48	Hood	White
HS3B/48	Hood	Brown
SVHAW3	Hood/pipe assem.	White
SVHAB3	Hood/pipe assem.	Brown
SVHUW3	Hood/pipe unassem.	White
SVHUB3	Hood/pipe unassem.	Brown

### Performance Data

for all plastic molded 3" (7.6 cm) Bath Fan Vents

#### Hood

- Polypropylene
- Melting point: 325° F+ (163° C approx.)
- UV Inhibitor added

#### Pipe

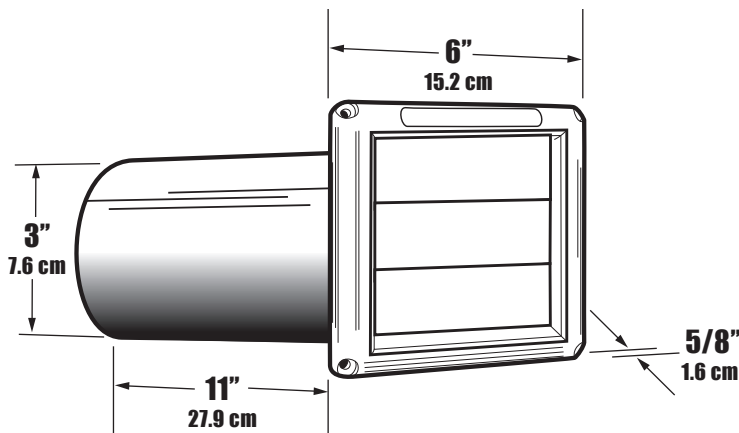
- Aluminum

#### Collar

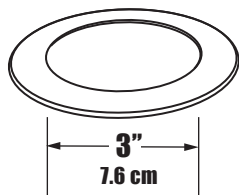
- Styrene

### General Information

- 3" (7.6 cm) dia. opening
- quick, easy installation
- louvered construction helps prevent wind and rain from entering vent
- opens with ease for maximum airflow
- durable weather resistant
- curved louvers for quieter operation

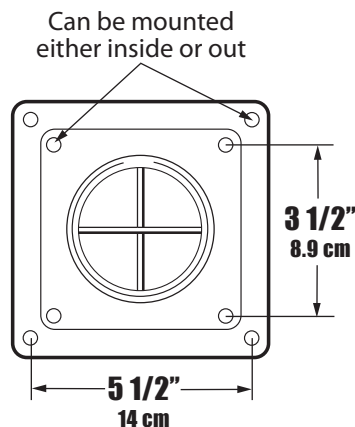


Hood Dia.	CFM	p/d in/w.c.
3" (7.6 cm)	50	.09
3" (7.6 cm)	75	.13
3" (7.6 cm)	100	.2
3" (7.6 cm)	125	.23
3" (7.6 cm)	150	.20



Plastic collar

Rear View



Can be mounted either inside or out

Side View

Molded for easy connection of pipe

