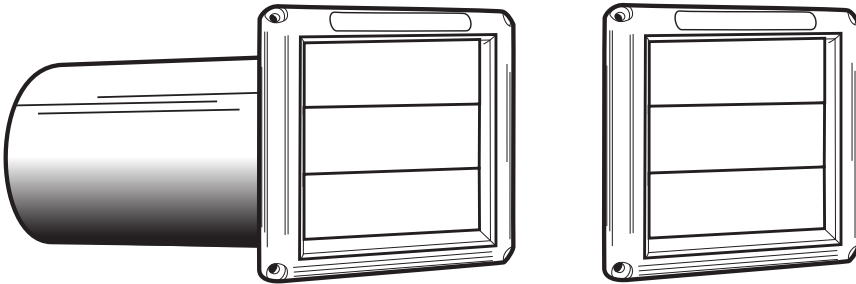


Technical Product Specifications

Dryer Vent - 5" Supurr-Vent[®] Louvered Vent Hood, with aluminum pipe



SVHAW5, SVHAB5, HSG5W/12, HSG5B/12, VHS5GW
DRVH514W, DRVH514B

HS5W/12, HS5B/12

Model No.	Description	Color
SVHAW5	hood/pipe, assem.	White
SVHAB5	hood/pipe, assem.	Brown
DRVH514W	hood/pipe, assem.	White
DRVH514B	hood/pipe, assem.	Brown
HS5W/12	hood, no grid	White
HS5B/12	hood, no grid	Brown
HSG5W/12	hood with grid	White
HSG5B/12	hood with grid	Brown
VHS5GW	hood with grid	White

Performance Data

for plastic molded vent hoods

Hood

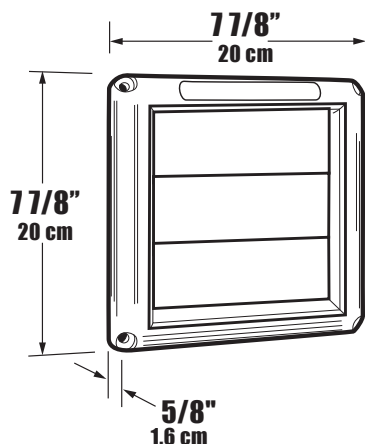
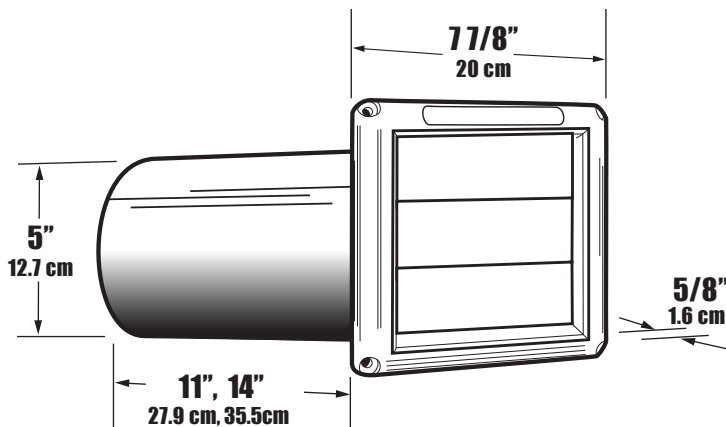
- Calcium filled Polypropylene
- Melting point: 325° F+
- UV Inhibitor added

Pipe

- Aluminum

General Information

- 5" dia. opening
- quick, easy installation
- louvered construction helps prevent wind and rain from entering vent
- opens with ease for maximum airflow
- durable weather resistant
- curved louvers for quieter operation

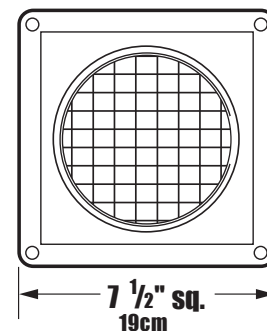


Molded for easy connection of pipe



Side View

Hood Dia.	CFM	p/d in/w.c.
5" (12.7 cm)	50	.035
5" (12.7 cm)	75	.04
5" (12.7 cm)	100	.05
5" (12.7 cm)	125	.06
5" (12.7 cm)	150	.075
5" (12.7 cm)	175	.085
5" (12.7 cm)	200	.095



HSG Shown

Rear View