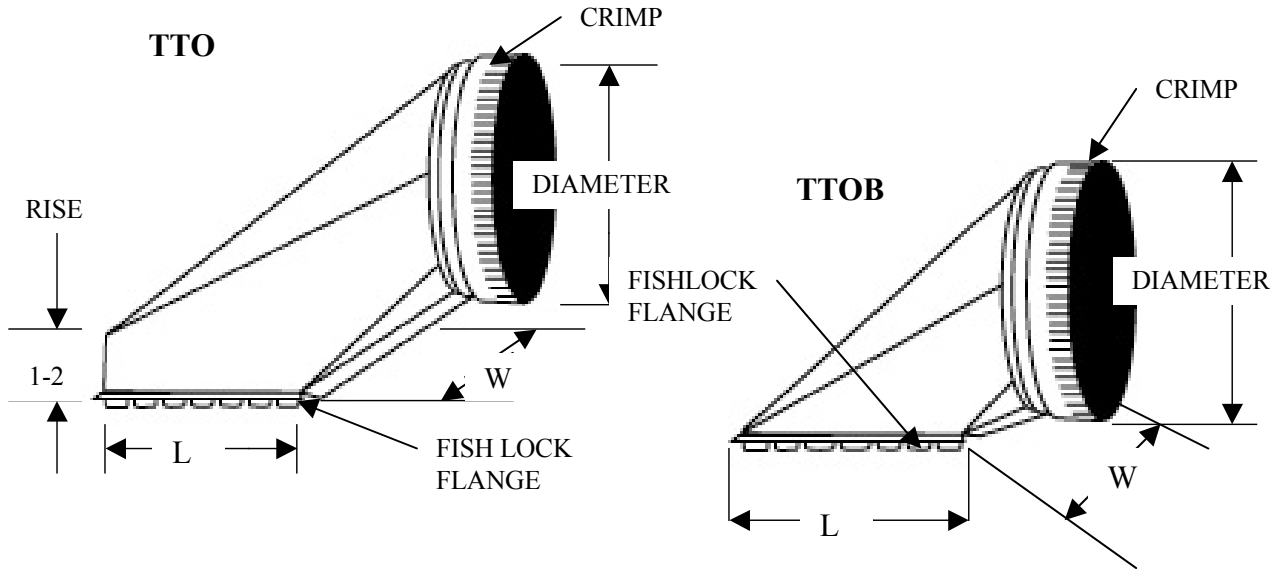


## TTO & TTOB-TOP TAKE OFF

### Performance Data

**Material:** Galvanized Sheet Metal (Standard)  
**Construction:** Dimple Lock



<b>Top Take Off</b>			
Model No.	Description	Pk.	L X W
TT03	3 diameter	50	5 x 3 1/2"
TT04	4" diameter	65	5 1/2 x 4 1/2
TT05	5" diameter	40	7 x 5 1/2
TT06	6" diameter	30	7 x 6
TT07	7" diameter	20	9 x 7
TT08	8" diameter	12	9 1/2 x 8
TT10	10" diameter	8	12 x 10
TT12	12" diameter	4	12 x 12

<b>Economy Top Take Off</b>			
Model No.	Description	Cs.	L X W
TT05B	5" diameter	45	6 1/2 x 5
TT06B	6" diameter	32	7 x 6

© 2006

DEFLECTO CORPORATION . P.O Box 50057. Indianapolis IN 46250 . [www.deflecto.com](http://www.deflecto.com)  
 DEFLECTO Canada Ltd . St.Catharines, Ontario , Canada L2M-3Y2

Deflecto's policy is one of continual product improvement in design and manufacturing wherever possible, Therefore all specifications and designs are subject to change without notice and without incurring obligations.